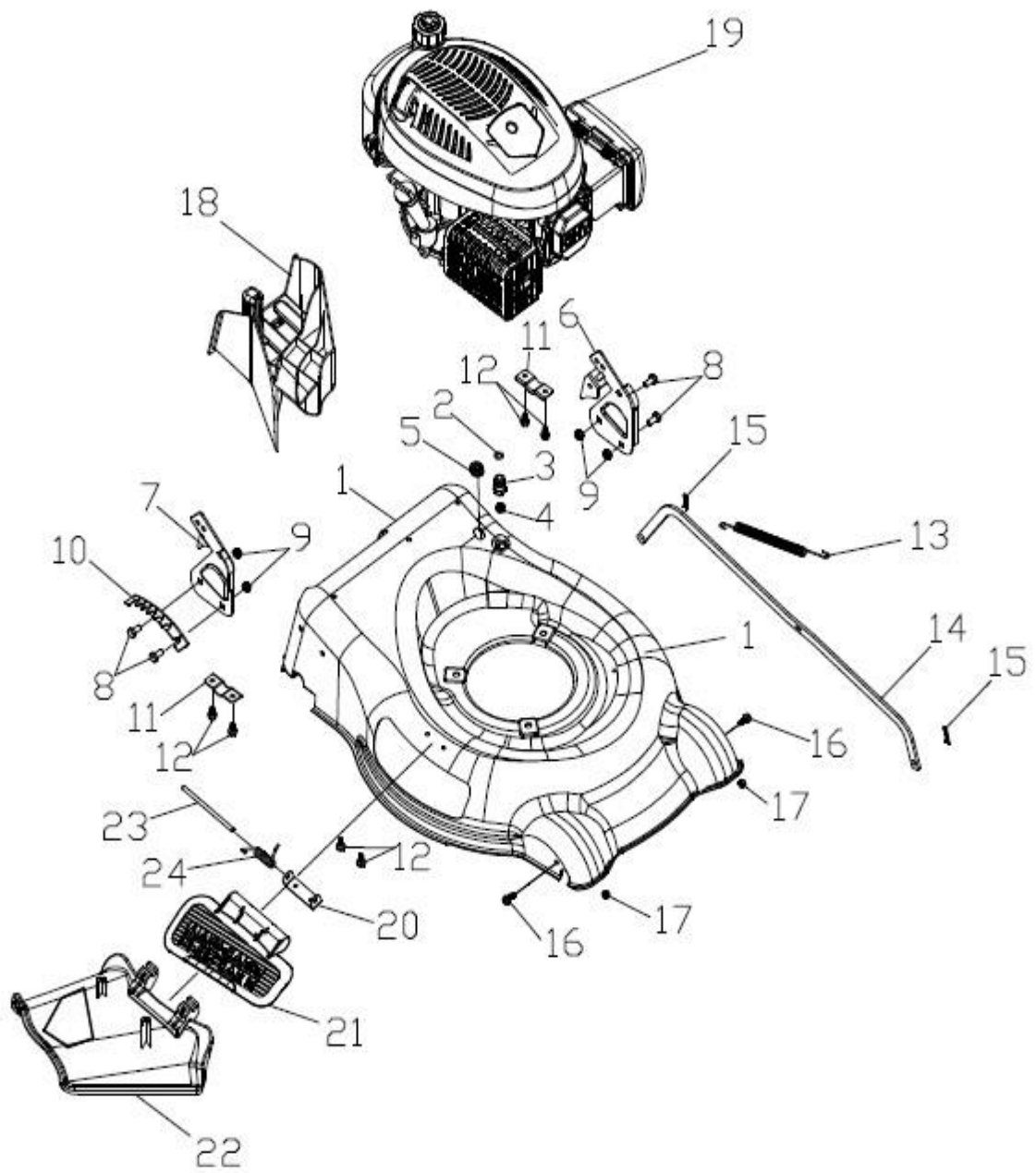


Pol. Č.	Item description	množstvo
1	foam pipe	1
2	stop lever	1
3	self-propelled lever	1
4	upper handrail	1
5	rope guide	1
6	cap nut	1
7	brake cable assy plate	1
8	bolt	2
9	self-locking nut	2
10	plastic stopper	1
11	brake cable	1
12	selfpropelled cable	1

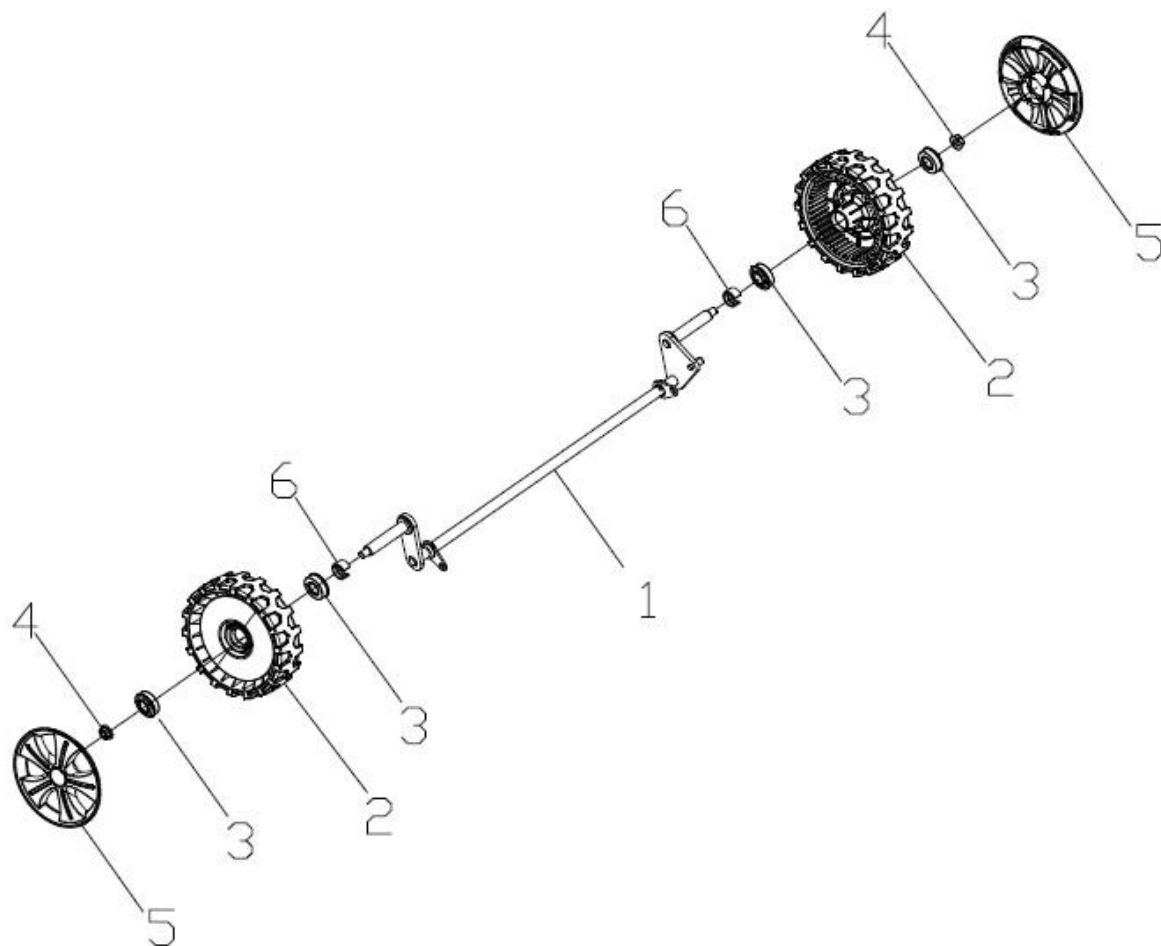
13	quick fix knob	2
14	pin	2
15	quik fix handla	2
16	lock for fast fix handle	2
17	flat washer	4
18	lock nut	2
19	hexagon nut	4
20	lower handrail	1
21	fastener	1
22	hexagon head bolts	2
23	half roud head square neck bolts	2
24	hex lock nut	2
25	triangle knob	2



Product model: RPM 5135 X (2014)

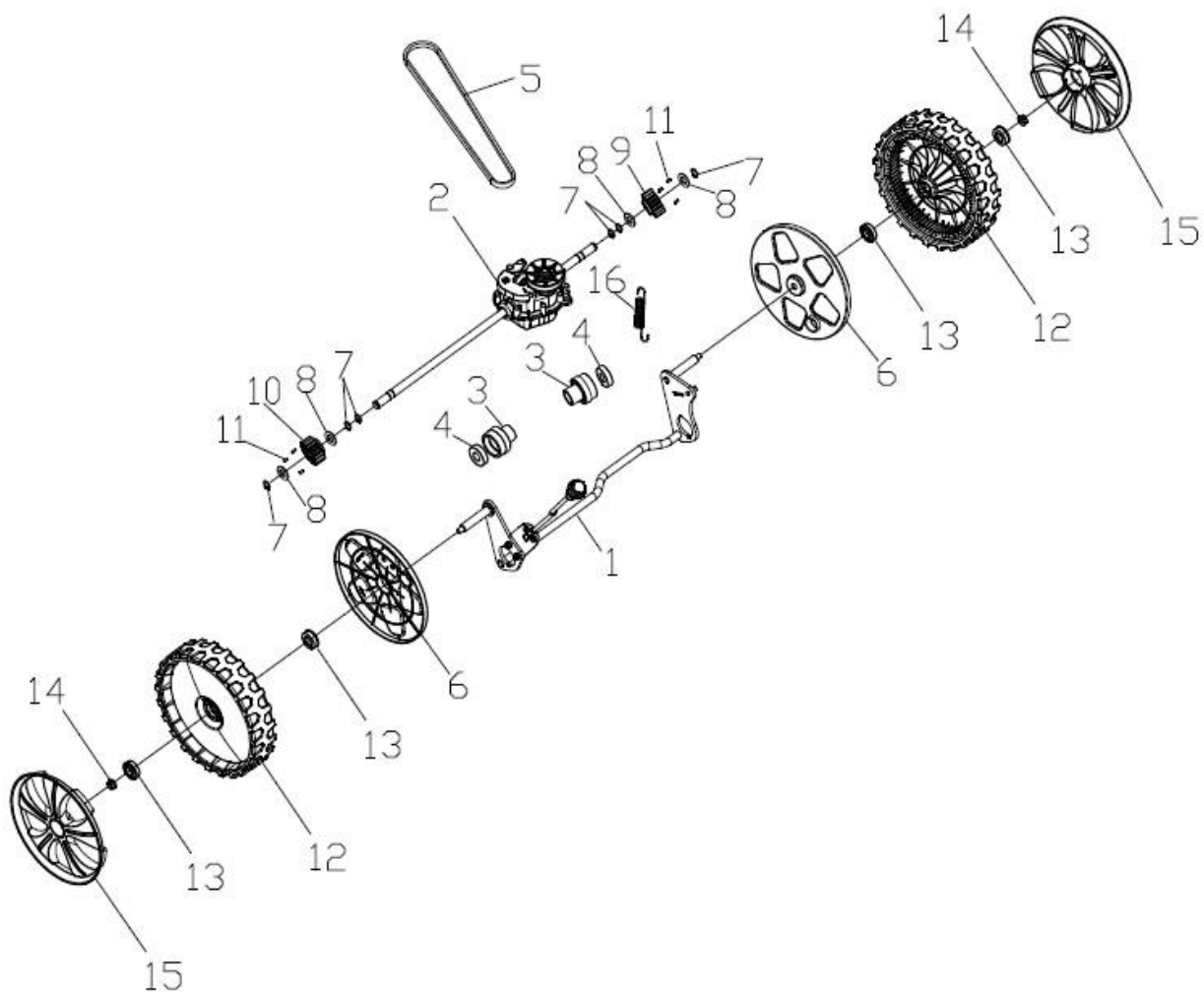
Pol. Č.	Item description	množstvo
1	deck welding assy.	1
2	"O" ring	1
3	inlet	1
4	Pipe connector nut	1
5	cable stopper	1
6	left handle bracket	1
7	left handle bracket	1
8	Hexagon head bolts	4
9	Hex lock nut	4
10	height adjustment board	1
11	rear drive bracket	2
12	Hex tapping screws	6
13	Pull Spring for Pull Rod	1
14	Height Adjustment Pull Rod	1
15	R type pin	2
16	Bolt	2
17	Self-locking nut	2
18	mulching plug	1
19	petrol engine	1
20	Bracket plate for defelctor	1
21	mulching board	1
22	side discharge cover	1
23	Mulch Shaft	1
24	mulch board spring	1

Product model: RPM 5135 X (2014)

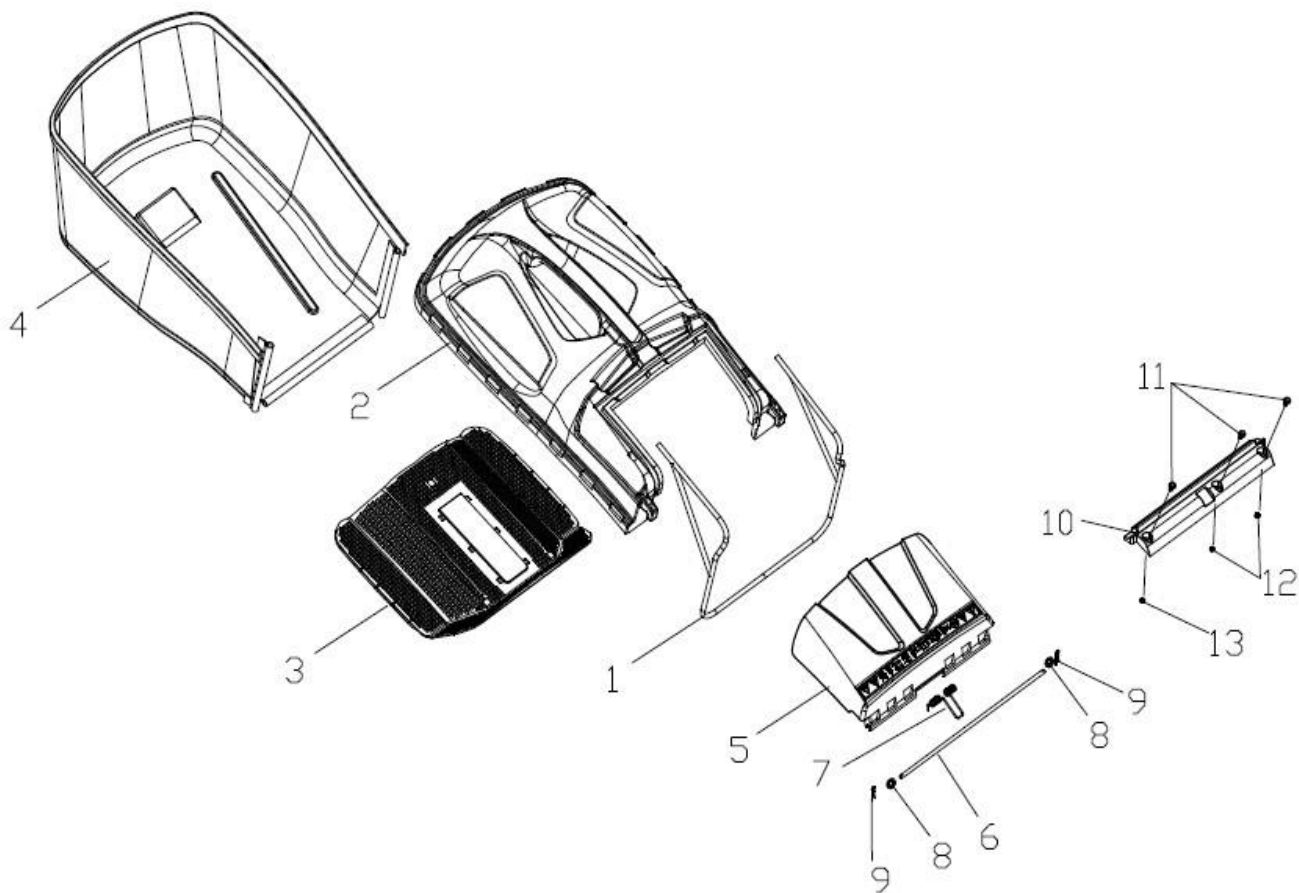


Pol. č.	Item description	množstvo
1	front drive assy.	1
2	wheel assy.	2
3	wheel punch bearing	4
4	Self-locking nut	2
5	outer cover of hub	2
6	front bracket fastener	2

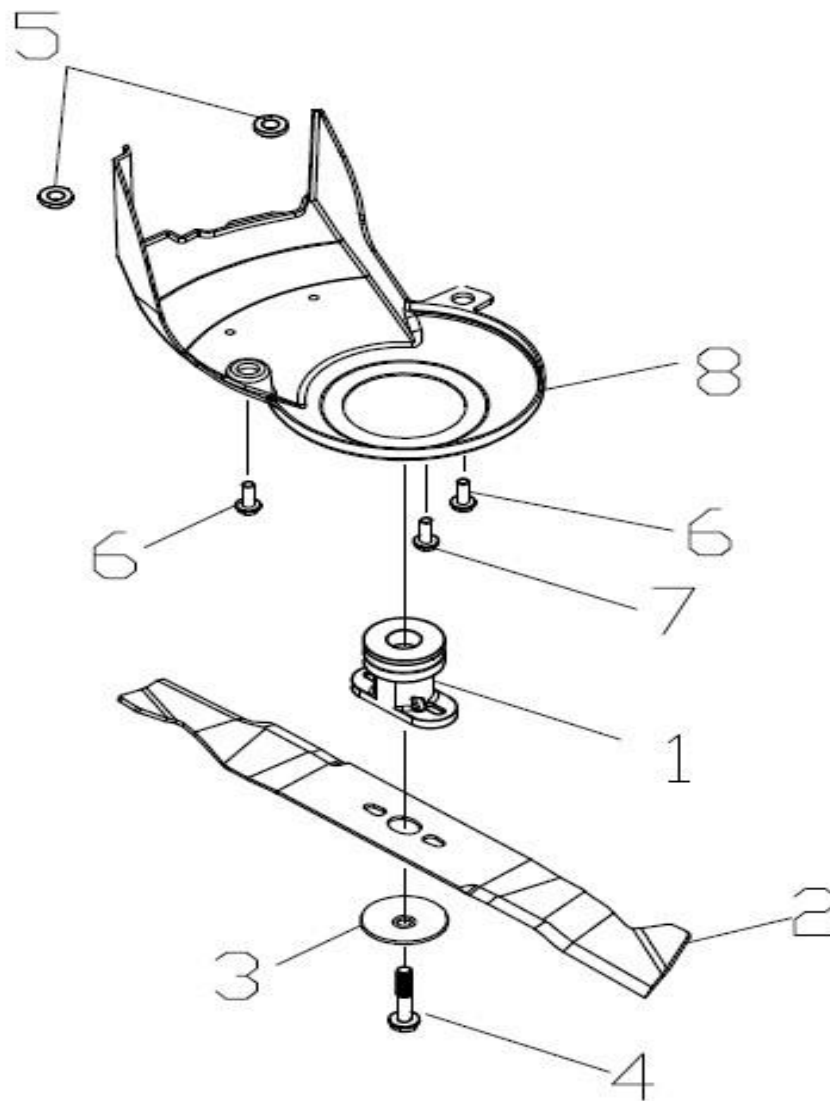
Product model: RPM 5135 X (2014)



Pol.č.	Item description	množstvo
1	rear drive assy.	1
	height adjustment ball	1
2	selfpropelled assy.	1
3	bushbush	2
4	bearing	2
5	v belt	1
6	inner cover of hub	2
7	spring washer	6
8	selfpropelled ratchet washer	4
9	atchet Wheel LRatchet Whe	1
10	Ratchet Wheel R	1
11	bratchet pin	6
12	wheel assy.	2
13	wheel punch bearing	4
14	Self-locking nut	2
15	outer cover of hub	2
16	selfpropelled spring	1



Pol. Č.		Discription in English	Qty
1		fabric metal frame	1
2		top of grass box	1
3		filter plate	1
4		fabric grass bag	1
5		rear discharge cover	1
6		Shaft for rear discharge cover	1
7		cover spring	1
8		lock washer	2
9		R type pin	2
10		rear discharge cover dust proof board	1
11		Bolt	3
12		Self-locking nut	2
13		Cap nut	1



Part No.	Description in English	Qty
1	Blade Adapter Assy	1
2	blade	1
3	blade washer	1
4	Inch hex flange bolts	1
5	Chassis bushing	2
6	Hex flange bolts	2
7	Hex flange bolts	1
8	belt cover	1